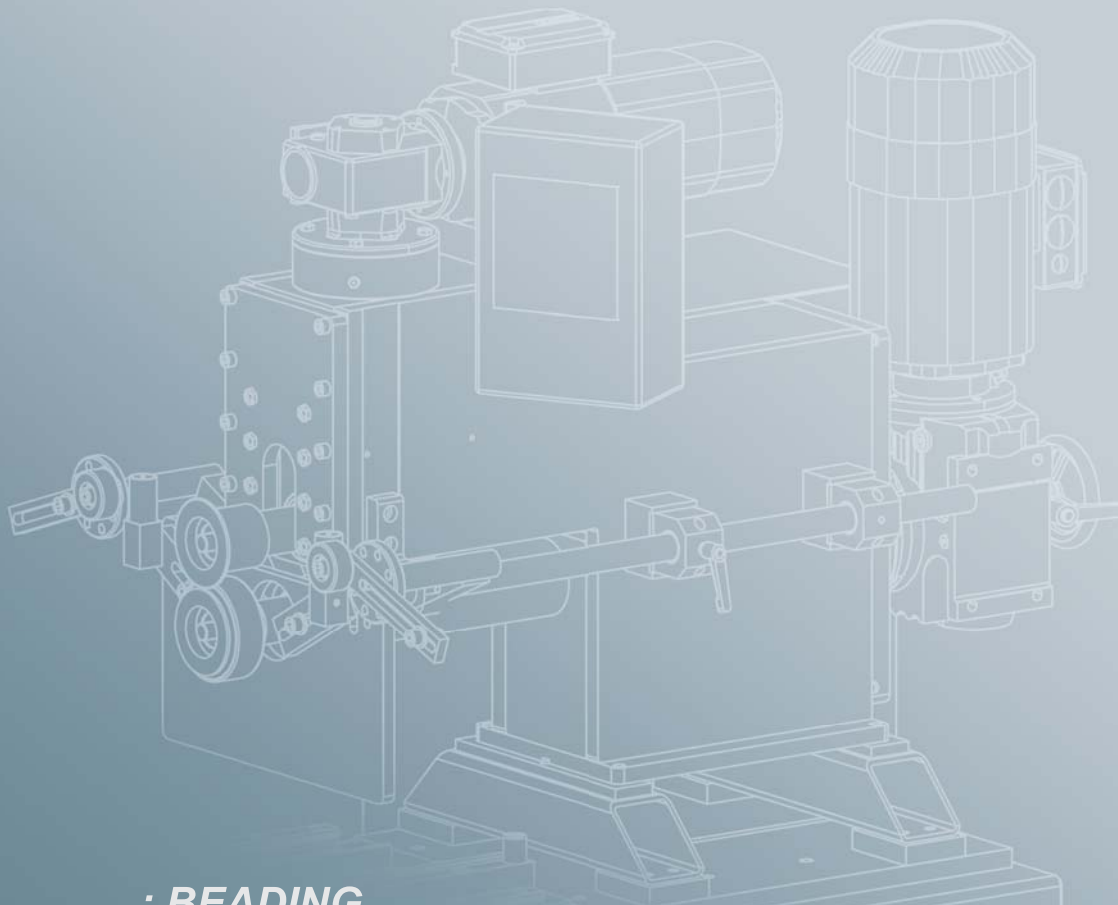
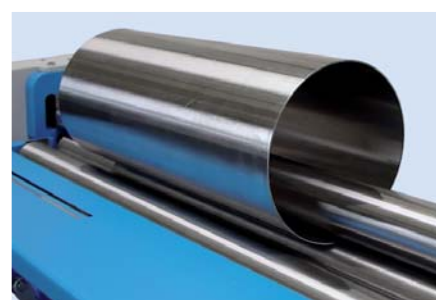
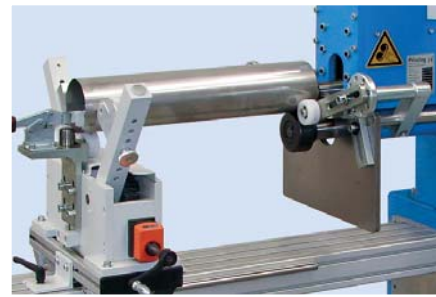


Production Program

Machines for Sheet Metal Working



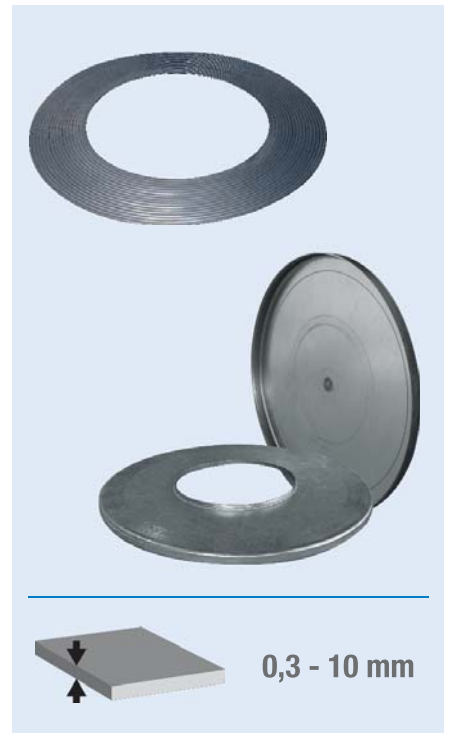
- .. BEADING*
- .. FLANGING*
- .. ROUNDING*
- .. CUTTING*
- .. FOLDING*
- .. FORMING*



 Beading and Flanging Machines - SM/SME



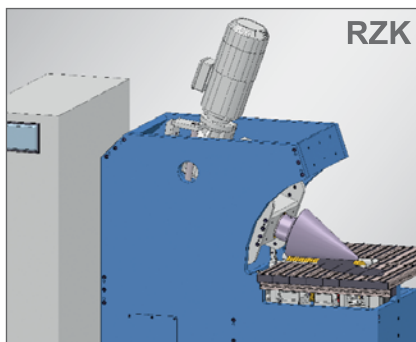
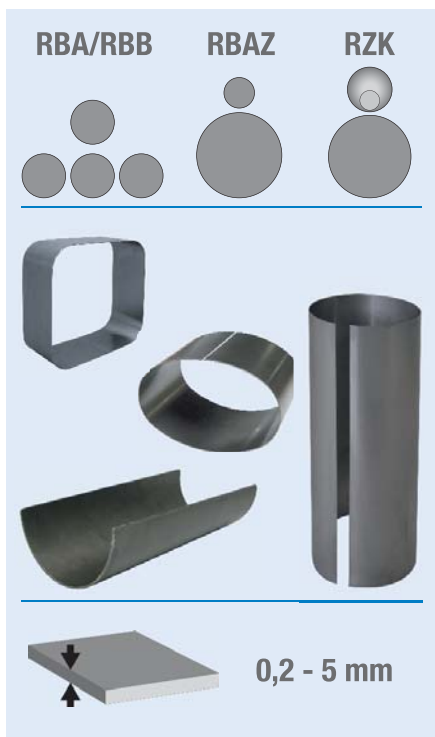
 Circular Shears - KS/KSE



Rounding Machines - RM/RME 



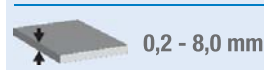
Automatic Rounding Machines - RBA/RBB/RBAZ/RZK 



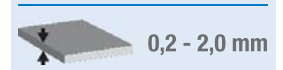
The specified sheet thickness refers to a steel sheet with 400 N/mm² and depends on the size of the machine!

S Custom-built and Special Machines

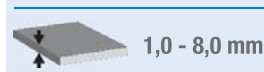
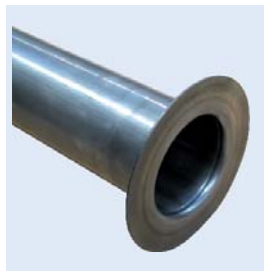
Double Beading System - SDA



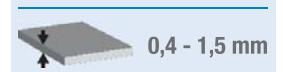
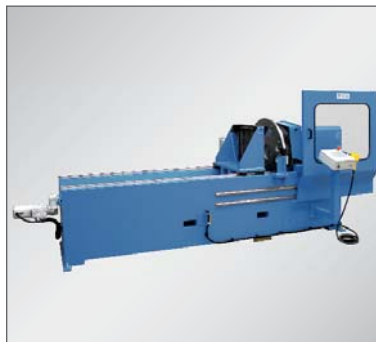
Machines for Tension Strips



Flanging-Machine - FME



Single Flanging System - BEA



Edgeformer - KFE



Tube Seam Closing Machine - RFZ



www.prinzing.eu

Prinzing
MASCHINENBAU

Peter Prinzing GmbH, Maschinenbau
Siechenlach 2
89173 Lonsee-Urspring (Germany)

Phone: +49 (0) 7336 96100
Fax: +49 (0) 7336 961050
E-Mail: info@prinzing.eu